


BOSCH

Invented for life

NDC-255-P and NDC-225-P IP Camera 200 Series



- ▶ **Complete network video surveillance system inside a dome camera**
- ▶ **Progressive scan for sharp images of moving objects**
- ▶ **Tri-streaming: Dual H.264 and M-JPEG simultaneously**
- ▶ **ONVIF conformant**
- ▶ **Removable microSD/SDHC card offers days of storage inside camera**
- ▶ **PC surveillance software supports multiple camera monitoring**
- ▶ **Two-way audio and audio alarm**
- ▶ **Power over Ethernet (IEEE 802.3af compliant)**

The Bosch NDC-255-P and NDC-225-P IP dome cameras are ready-to-use, complete network video surveillance systems inside a compact camera. This camera brings Bosch's high-performance technology into the realm of small office and retail businesses by offering a cost-effective solution for a broad range of applications.

To use the camera as a stand-alone video surveillance system, simply take it out of the box, assemble it according to the quick installation guide, start it, and walk away – it's already recording. In this mode, no additional equipment is required.

For medium-to-large-scale or growing systems, the camera easily integrates with the Bosch Divar 700 Series recorder. It uses H.264 compression technology to give clear images while reducing bandwidth and storage by up to 30%.

Functions

Best-in-class image performance

The camera delivers the clearest images and most accurate colors within its class. Progressive scan ensures moving objects are always sharp.

Tri-streaming video

Tri-streaming allows a data stream to be encoded simultaneously according to three different, individually customized settings. Two types of streams can serve different purposes. For example, use H.264 stream for local recording and viewing, and the M-JPEG stream to provide compatibility with legacy DVRs.

Efficient recording

A removable microSD/SDHC card offers edge recording inside the IP dome camera. This card not only saves network bandwidth but also reduces the requirement for a high-capacity hard disk or DVR. When used with a microSD/SDHC card, the camera is a complete, self-contained surveillance system without the need for additional equipment.

The camera can also be used with an iSCSI server connected via the network to store long-term recordings.

16-channel PC surveillance software

The bundled PC surveillance software offers a user-friendly interface to support easy installation and configuration. A wizard allows the configuration of multiple cameras simultaneously using an auto detection device. Multiple cameras can be monitored in one screen and video clips on microSD/SDHC cards can be archived, searched, and exported in a single application.

ONVIF 1.0 compliant

The latest Open Network Video Interface Forum (ONVIF) standard ensures compatibility with other surveillance products. This will contribute to a reduction in future upgrade or migration costs.

Two-way audio and audio alarm

Two-way audio allows remote users to listen in on an area and communicate messages to visitors or intruders via an external loudspeaker (not included). Audio detection can be used to generate an alarm, if needed.

Tamper and motion detection

A wide range of configuration options is available for alarms signaling camera tampering. A built-in algorithm for detecting movement in the video can also be used for alarm signaling.

Power-over-Ethernet

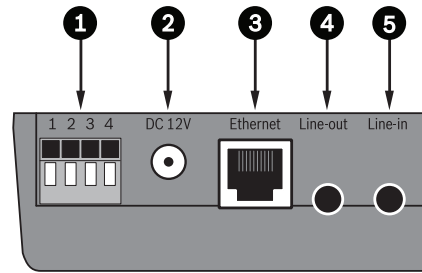
Power for the camera can be supplied via a Power-over-Ethernet (IEEE 802.3af) compliant network cable connection. With this configuration, only a single cable connection is required to view, power, and control the camera.

Certifications and Approvals

Region	Certification
Europe	CE
Safety	EU: EN 60950-1: 2006, Reference IEC 60950-1:2005
	US: UL 60950-1: 1st edition dated October 31, 2007
	Canada: CAN/CSA-C22.2 NO. 60950-1-03
EMC	EN 50130-4:1995 + A1:1998 + A2:2003
	FCC Part15 Subpart B, Class B
	EMC directive 2004/108/EC
	EN 55022 class B
	EN 61000-3-2 :2006
	EN 61000-3-3 : 1995+A1 :2001+A2 :2005
	EN 55024
	AS/NZS CISPR 22 (equal to CISPR 22)
	ICES-003 Class B
	EN 50121-4:2006
Product Certifications	CE, FCC, UL, cUL, C-tick, CB, VCCI
Power supply	CE, UL, cUL, PSE, CCC

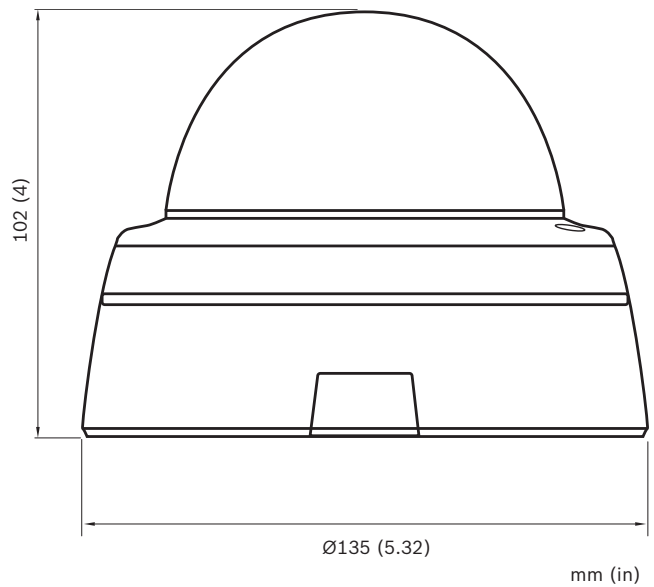
Installation/Configuration Notes

Connections



1	I/O
2	Power 12 VDC
3	Ethernet RJ45
4	Audio Line-out
5	Audio Line-in

Dimensions



Parts Included

Quantity	Component
1	NDC-255-P or NDC-225-P IP Dome camera
1	Quick Installation Guide
1	Installation paper sticker
1	Torx screwdriver for Dome cover
1	CD ROM with BVIP Lite Suite and documentation
1	Camera fixing screw kit
1	MicroSDHC card (warranty provided by card manufacturer)
1	Universal power supply with US, EU and UK plug

Technical Specifications

Power

Input voltage +12 VDC or Power-over-Ethernet

Power consumption 4.1 W (max)

Video

Sensor type ¼-inch CMOS

Sensor pixels 640 x 480

Sensitivity 1.0 lux

Video resolution VGA, QVGA

Video compression H.264 MP (Main Profile); H.264 BP+ (Baseline Profile Plus); M-JPEG

Frame rate 30/25 fps: all resolutions

Lens

Lens type NDC-255-P: Varifocal 2.8 to 10 mm, DC Iris F1.2 to close
NDC-225-P: Fixed 4 mm, F1.5

Lens mount Board mounted

Connection

Analog video out 2.5 mm jack for installation only

Alarm input Short or DC 5V activation

Relay out Input rating Maximum 1 A 24 VAC/VDC

Audio

Audio input Built-in microphone

Line in jack connector

Audio output Line out jack connector

Audio communication Two-way, full duplex

Audio compression G.711

Local Storage

Memory card slot Supports up to 32 GB microSD/SDHC card

Recording Continuous recording, ring recording, alarm/events/schedule recording

Software Control

Unit configuration Via web browser or PC surveillance software

Network

Protocols HTTP, HTTPS, SSL, TCP, UDP, ICMP, RTSP, RTP, RTCP, IGMPv2/v3, SMTP, POP3, FTP, DHCP client, ARP, DNS, DDNS, NTP, SNMP, UPnP

Ethernet 10/100 Base-T, auto-sensing, half/full duplex, RJ45

PoE IEEE 802.3af compliant

Mechanical

Dimensions Diameter: 135 mm (5.32 in)
Height: 102 mm (4 in)

Weight NDC-255-P: 548 g (1.21 lb) approx.
NDC-225-P: 523 g (1.16 lb) approx

Environmental

Operating temperature Camera -10 °C to +50 °C (14 °F to +122 °F)

Operating temperature Universal Power Supply Unit 0 °C to +40 °C (+32 °F to +104 °F)

Storage temperature -20 °C to +70 °C (-4 °F to +158 °F)

Humidity 10% to 80% relative humidity (non condensing)

Ordering Information

NDC-255-P IP Dome Camera **NDC-255-P**
IP Dome Camera System including varifocal lens and power supply

NDC-225-P IP Dome Camera **NDC-225-P**
IP Dome Camera System including fixed lens and power supply



Unit 22, 670 Gympie Rd Lawnton
www.technorx.com.au
Ph: 07 3881 2060

4 | NDC-255-P and NDC-225-P IP Camera 200 Series